

# GEBERIT SIGMA80 ACTUATORS

## For Sigma Concealed Tanks, 2x6 and 2x4 Installations

### SPECIFICATIONS

Actuators for concealed tank and carrier system. Actuator flush plates shall be high quality glass. All components shall be compliant with applicable codes and product standards.

### FEATURES

- Black or mirrored glass surface with matte black accent
- Suitable for private or semi-public applications
- Glass plate can be locked in place for tamper resistance
- Dual-flush built in
- LED lighting in five user-selectable colors
- Touch free versions allow wireless remote setting, operation and monitoring via Geberit Connect smartphone app (via Bluetooth® enabled iOS or Android smartphones) or via Geberit Service Handy (via IR interface)

### WARRANTY

- 3-year end customer limited warranty for delivery of replacement parts

#### Dual-Flush Actuators, Sigma 2x6 Installation

Sigma80	Glass	Black	116.090.SG.6
		Mirror	116.090.SM.6



#### Dual-Flush Actuators, Sigma 2x4 Installation

Sigma80	Glass	Black	116.092.SG.6
		Mirror	116.092.SM.6



#### Optional Accessories

	Required Transformer with 12 VDC output for AC powered hands-free actuator (order separately)	115.861.00.6
	Extension mains cable 12V (optional accessory for Sigma10 and Sigma80) length 71" (1.8 m)	244.094.00.1
	Connection cable for external button (optional accessory) length 78-3/4" (2 m)	242.658.00.1

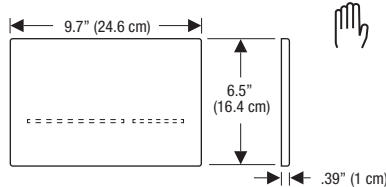
#### Remote Programming Accessory for Hands-Free Actuators

	"Service Handy" remote programming device for Geberit touch-free devices	115.860.00.1
--	--	--------------

Products marked with this symbol are compatible with the Geberit Control App. See note on the last page.

### DIMENSIONS

#### Sigma80 Hands-Free Dual-Flush



Products marked with comply with the American Disabilities Act (ADA) when installed per the requirements of the latest ADA Accessibility Guidelines (ADAAG) and/or ICC/ANSI A117.1.



Geberit  
2100 S. Clearwater Drive  
Des Plaines, IL 60018  
USA

P 847-803-7777  
F 847-849-1845

www.geberit.us

#### PLEASE NOTE

Many model numbers have changed since September 1, 2022. See cross-reference table below for information.

#### IMPORTANT!

New mains AC versions (12V) must be combined with new model accessory transformer (12V) and will not work with older transformer (3-4.1V).

If you specified this...	...now specify this
116.090.SG.1	116.090.SG.6
116.090.SM.1	116.090.SM.6
116.092.SG.1	116.092.SG.6
116.092.SM.1	116.092.SM.6
115.861.00.1	115.861.00.6



ARCHITECT/ENGINEER APPROVAL	
Job Name:	_____
Date:	Quantity: _____
Model Specified:	_____
Variations Specified:	_____
Customer/Wholesaler:	_____
Contractor:	_____
Architect:	_____

# GEBERIT SIGMA80 ACTUATORS

## For Sigma Concealed Tanks, 2x6 and 2x4 Installations

### HANDS-FREE APPLICATION

- For automatic, "hands free" sensing and flush actuation, in hygienic or ADA compliant applications
- For public or residential spaces
- For low consumption toilet. Dual-flush volumes of 1.6 GPF (6 LPF) and 0.8 GPF (3 LPF) or 1.28 GPF (4.8 LPF) and 0.8 GPF (3 LPF)

### HANDS-FREE SPECIFICATIONS

- Detection distance: up to 24 in (60 cm)
- Automatic hygiene flush: 24 h after last flush cycle
- Operating voltage: 12 V DC\*
- For mains power, current draw is less than 1.5 amps. Recommended minimum wire size AWG 20 or as required by local code.
- User detection time: 7 s

\* Prior generation power needs mains units: 4.1 VDC

### HANDS-FREE SCOPE OF SUPPLY

- Infrared control, premounted on fixation frame
- Servo motor, premounted to lifter mechanism
- Fastening material
- 120 V 60 Hz or 230 V 50 Hz providing 12 VDC transformer not included. Required accessory 115.861.00.6.

### HANDS-FREE FEATURES

- Proven infrared triangulation detection method with background fade-out and auto-calibration to environment
- Low noise servo motor actuates existing gravity flush valve. Motor auto-calibrates to adjust for installation tolerances
- Dynamic flushing time reduction during periods of high traffic to reduce water consumption
- Pre-installed electrical connectors with cross-polarity protection (one-way connection)

### COMMUNICATION

- Device settings and operation with iOS or Android smart phones via integrated Bluetooth® interface
- Compatible with Geberit Control App
- Service agreement required to enable app features
- Operation is independent of app enablement, i.e. app signup not required
- Functions can also be set and queried with the Geberit Service Handy 115.860.00.1
- Some functions may be hand programmed

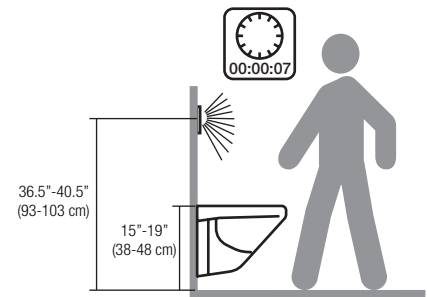
### FUNCTIONAL PRINCIPLE

Several IR sensors are located behind the glass plate of the WC flush control. These sensors scan different detection ranges. The distances of the various detection ranges are not precisely defined; it depends on how strongly the infrared light is reflected on the respective object (piece of clothing, etc.).

The proximity detection range (A) scans a wide range. As soon as a person crosses the threshold of this detection range, the actuator buttons start to light up and thereby signal that the WC flush control is ready for operation.

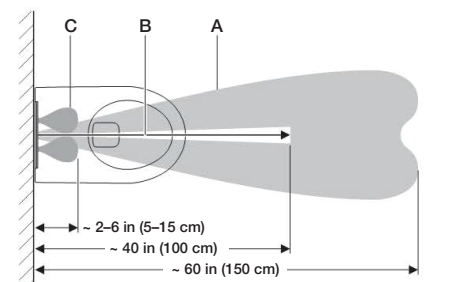
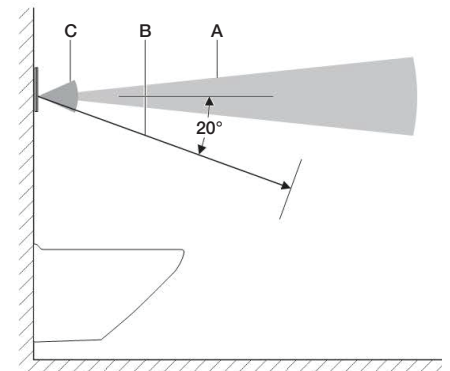
The user detection range (B) measures whether a user is sitting or standing in front of the WC flush control. No objects (wall, curtain, etc.) should be permanently placed in this area. If a sitting user is detected, manual flush actuation is deactivated. This prevents a flush from being inadvertently activated if the user leans back during use.

If someone's hand crosses the threshold of the manual flush detection range (C), the WC flush control activates a small or large flush. Manual flush actuation is only possible when a person is in the proximity detection range (A).



Installing highly reflective surfaces (such as mirrors) in the immediate vicinity of the water closet flush control should be avoided, as these can lead to incorrect releases and malfunctions.

Geberit product is ADA compliant when fixture and actuator are installed at proper heights.



Detection ranges  
 A Proximity detection range  
 B User detection range  
 C Manual flush detection range

NOTE: Partitions and walls must be installed so that they do not obstruct the detection zone. Compartment doors must not open into or interfere with the detection zone.

Geberit  
 2100 S. Clearwater Drive  
 Des Plaines, IL 60018  
 USA

P 847-803-7777  
 F 847-849-1845

www.geberit.us

