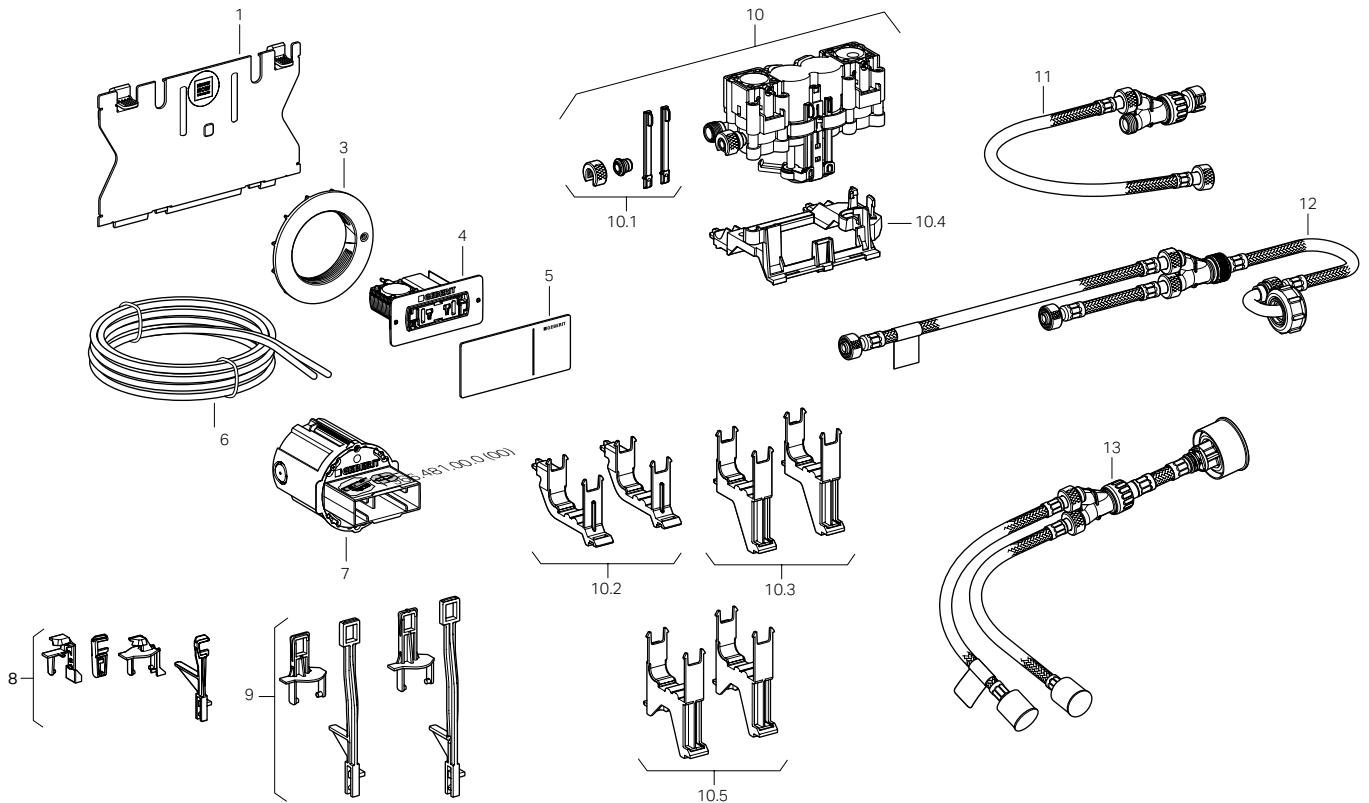


Geberit Type 70 Remote Dual-Flush Buttons

Item	Model No.	Description	List Price \$
1	242.819.00.1	Protection plate Type 70, for 2x6 Sigma Concealed Tank	23.00
1	243.084.00.1	Protection plate Type 70, for 2x4 Sigma Concealed Tank	65.00
3	242.939.00.1	Nut remote control for furniture installations	18.00
4	242.956.00.1	Ready-to-fit set remote flush actuation Type 70	201.00
5	242.957.FW.1	Remote flush actuation Type 70 Stainless Steel	412.00
	242.957.JK.1	Remote flush actuation Type 70, Lava Glass	302.00
	242.957.JL.1	Remote flush actuation Type 70, Grey Sand Glass	302.00
	242.957.SI.1	Remote flush actuation Type 70 White Glass	302.00
	242.957.SJ.1	Remote flush actuation Type 70 Black Glass	302.00
6	243.297.00.1	Double pneumatic hose for dual-flush 2 m (Green/Clear)	10.00
7	242.949.00.1	Installation set remote flush actuation Type 70	65.00
8	242.825.00.1	Conversion set flush valve for 2x6 Sigma/Omega Concealed Tank	17.00
9	242.826.00.1	Conversion set flush valve for 2x4 Sigma Concealed Tank	17.00
10	242.820.00.1	Hydraulic flushing device, 1-6 bar (15-87 psi)	312.00
	243.461.00.1	Hydraulic flushing device, 1-3 bar (15-44 psi). Optional replacement for low pressure service	312.00
10.1	242.822.00.1	Spare parts set for hydraulic lifter	12.00
10.2	243.170.00.1	Support block hydraulic servo lifter for 2x6 Sigma Concealed Tank	18.00
	243.171.00.1	Support block hydraulic servo lifter for 2x4 Sigma Concealed Tank	18.00
	243.169.00.1	Support block hydraulic servo lifter for 2x6 Omega Concealed Tank	18.00
	243.347.00.1	Support block hydraulic servo lifter for 2x4 Sigma Concealed Tank (2016 version)	18.00
11	242.824.00.1	Connection hose complete for Type 70, for 2x6 Sigma Concealed Tank	55.00
	242.823.00.1	Connection hose complete for Type 70, for 2x4 Sigma Concealed Tank	76.00
	242.958.00.1	Connection hose complete for Type 70, for 2x6 Omega Concealed Tank	129.00



The information contained in this document is subject to change without notice.